



samlexsolar®-100-150W

Solar Charging Kits

Model
 SRV-100-30A
 100 Watts
 SRV-150-30A
 150 Watts

Design Features

- Available in 100 or 150 Watts, every kit includes an industry leading 30 Amp flush mount charge controller!
- High efficiency crystalline solar cells
- Low profile panel design
- All weather Anodized aluminum and Tempered Glass construction
- 25 year Power Warranty
- Top quality cable & mounting hardware

Kit Includes:

1. High Efficiency Solar Panel
2. 30 Amp Charge Controller
3. Connecting Wires
4. Mounting Brackets & Hardware



SOLAR PANEL SPECIFICATIONS: PARAMETER	SRV-150-30A	SRV-100-30A
NOMINAL MAXIMUM POWER AT STC, Pmax	150W ± 3%	100W ± 3%
MAXIMUM POWER VOLTAGE, Vmp	18.38V	17.8V
MAXIMUM POWER CURRENT, Imp	8.16A	5.62A
OPEN CIRCUIT VOLTAGE, Voc	22.68V	21.3V
SHORT CIRCUIT CURRENT, Isc	8.82A	6.07A
MODULE EFFICIENCY	15.42%	15.97%
TYPE OF CELLS	Polycrystalline	Monocrystalline
NO OF CELLS	36	36
MAXIMUM SYSTEM VOLTAGE	UL-1703: 600VDC; IEC-61215 / 61730: 1000VDC	
SERIES FUSE RATING	15A	10A
TERMINAL BOX	IP-65 with 2 Bypass Diodes; Cable 4mm ² with MC4 Compatible Connectors	
OPERATING TEMPERATURE	- 40°C to + 85°C / - 40°F to +185°F	
DIMENSIONS	660 x 1474 x 35.2 mm / 26 x 58.03 x 1.39 in	552 x 1200 x 3 mm / 21.73 x 47.25 x 1.39 in
WEIGHT	12 Kg / 26.4 lb	8 Kg / 17.63 lb
STC	Irradiance Level: 1000 W/M ² ; Spectrum: AM 1.5 Cell Temperature: 25°C / 77°F	
TEMPERATURE COEFFICIENT OF CURRENT, Isc	+ 0.08% / °C	+ 0.05% / °C
TEMPERATURE COEFFICIENT OF VOLTAGE, Voc	- 0.34% / °C	- 0.33% / °C
TEMPERATURE COEFFICIENT OF POWER, Pmax	-0.43% / °C	-0.23% / °C

NOTE: Specifications are subject to change without notice

Over ▶

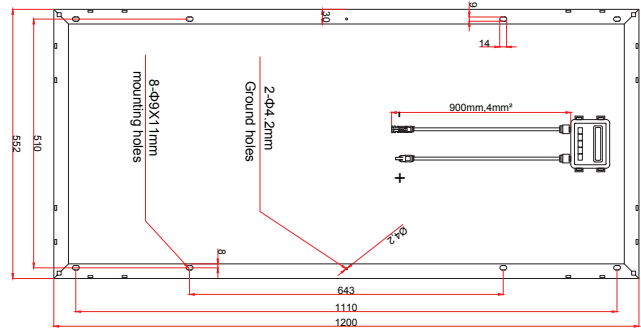
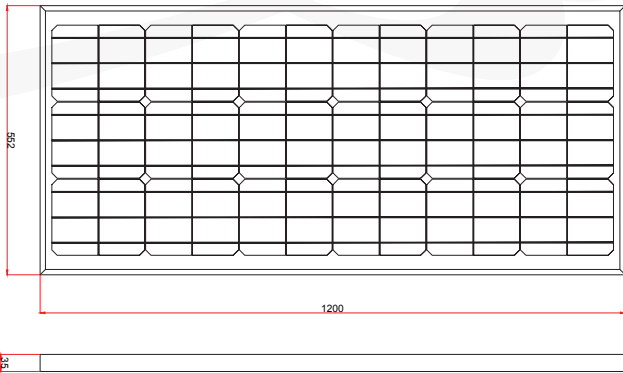


samlexsolar[®]

100-150W

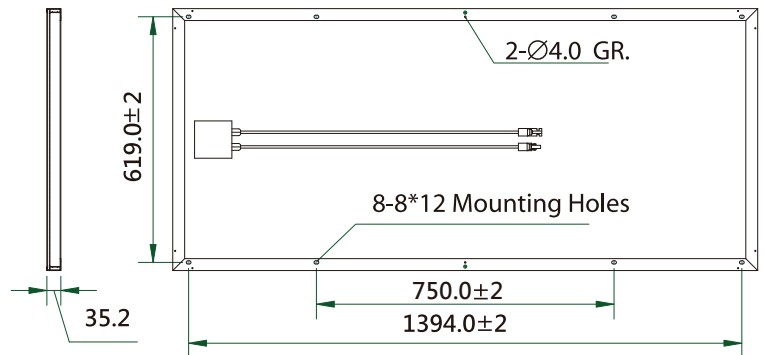
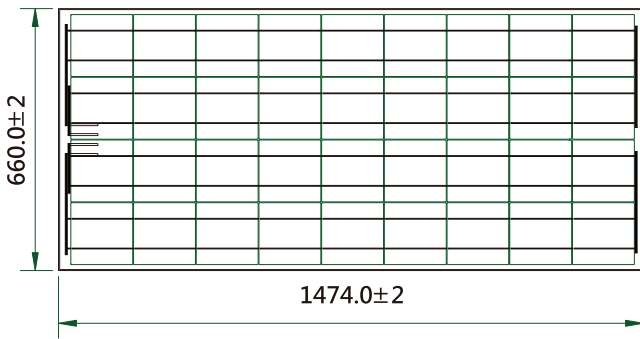
Solar Charging Kits

Model	SRV-100-30A
	100 Watts
	SRV-150-30A
	150 Watts



(All dimensions are in mm)

SRV-100-30A Solar Panel Dimensions



(All dimensions are in mm)

SRV-150-30A Solar Panel Dimensions